



High Speed Dome Camera

High Speed Dome Camera

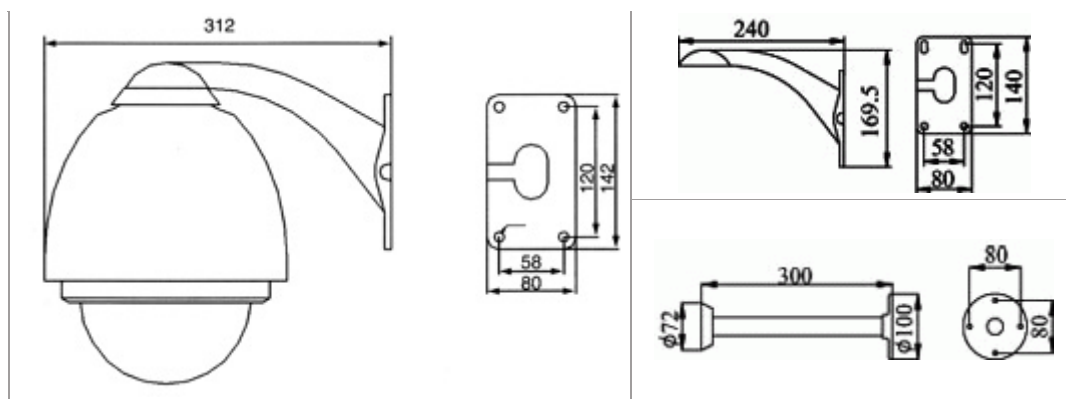
- High Die-cast Aluminum Construct
- Low noise design
- OSD function
- 128 presets position
- 6 privacy zone masking

Optional Model

- CMF-OF18B,18×High Speed Dome
- CMF-OF22C,22×High Speed Dome
- CMF-OF23B,23×High Speed Dome
- CMF-OF26B,26×High Speed Dome
- CMF-OF27B,27×High Speed Dome

Specification

Model No.	EC-OF18B	EC-OF22C	EC-OF23B	EC-OF27B
Camera Type	Color Outdoor High Speed Dome Camera			
Image Sensor	1/4 Inch CCD			
Effective Pixels	PAL:752(H) x582(V) 440K NTSC:768(H) x494(V) 380K			
Synchronization	Internal/Extrinsic			
Scanning frequency	15.625KHz(H) 50Hz(V)			
Horizontal Resolution	480 TV Lines			
Min. Illumination	0.01 Lux	0.07 Lux	0.01 Lux	0.01 Lux
Focal length	f=4.1~73.8mm 18x	f=3.9~85.8mm 22x	f=3.6-82.8mm 23x	f=3.6-98mm 27x
S/N Ratio	More Than 50dB			
Electronic Shutter	1/3~1/10,000s			1/50~1/10,000s
White Balance	Auto/Manual			
Pan speed	0°~300°/s			
Tilt speed	0°~120°/s			
Panning range	360°			
Tilt range	90°(180° auto overturn)			
Preset	128(max)			
Communication	Multi-protocol, RS485			
Relative humidity	90% without			
Work temperature	-35°C~55°C			
Power supply	AC24V			
Power consumption	20VA			
Weight	4Kg			
Dimension				



Caratteristiche

- Alta Die-Cast in alluminio Costruzione
- funzione OSD
- 128 preset di posizione
- 6 tracce, ogni traccia dispone di 16 posizioni
- 6 zone di mascheramento
- 40 s pattern Tours (percorso funzione di memoria)
- Multi-protocollo di comunicazione
- RS485 la comunicazione dei dati
- 4 - Allarme e 1 ingresso-uscita di allarme
- AC24V ingresso Built-in ventilatore e riscaldamento